

## Cross laser, red, 650 nm, 80 °, 5 mW

CB650-5-3(16x45)  
Order Number: 70103113

Main Parameters (*)	min	typ	max	Unit
Wavelength		650		nm
Optical Output Power		5		mW
Operating Voltage	2.7	3	3.3	V DC
Operating Current	15	30	45	mA
Operating Temperature	-20		50	°C
Storage Temperature	-40		80	°C

### Main Data

Warranty 1 years

### Technical Parameters

Lifetime > 5,000 h  
RoHS yes

### Optical Parameters

Beam Shape	Cross
Laser Class	1
Divergence	B - 0.3 mrad
Fan Angle	80 °
Line Thickness	<1.5mm@3m
Operating Distance	3 m
Optics	glass lens AR coated
Laser technology	Single Mode Diode
Focus	fixed (3000mm)
Verticality	< ± 0.5 °

### Electrical Parameters

Potential of Housing isolated  
Power Supply LFNT-3

### Mechanical Parameters

Size	Ø16x45 mm
Material	aluminium
Cable length	100 mm
Wire type	Belden, Typ 1007, 26AWG
Output Aperture	6.8 mm
Housing Color	black
Weight	23 g
Stripping of wire	5 mm

(\*) Over the complete operating temperature range

### Features



- Operating Voltage 3 V DC
- Laser Class 1
- Low power consumption
- Compact size
- Fixed focus

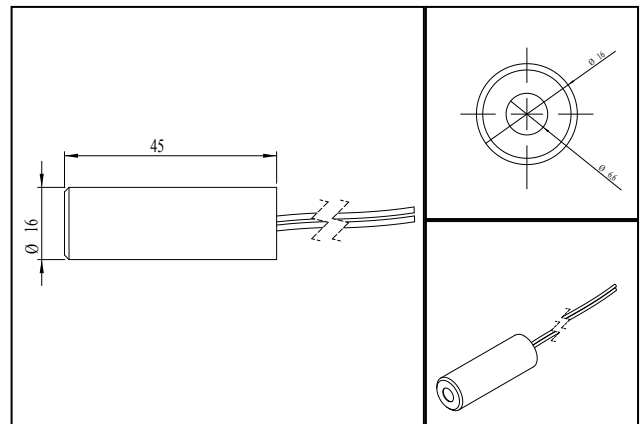
### Picture



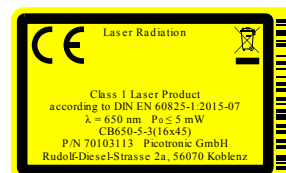
### Cable color

Ground		black	GND
positive		red	2.7 - 3.3, typ 3 V DC

### Drawing



### Safety Label



### Valid Revision

15 | 04-APR-2018